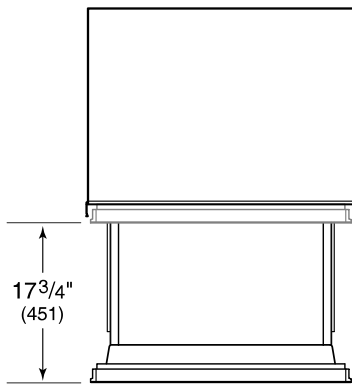
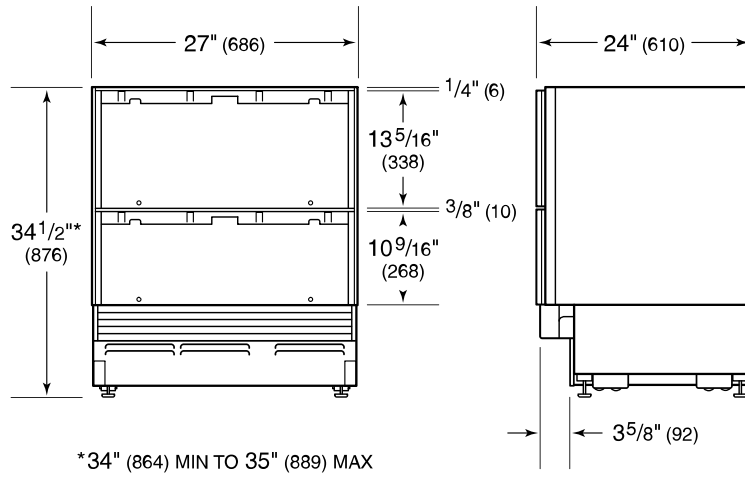
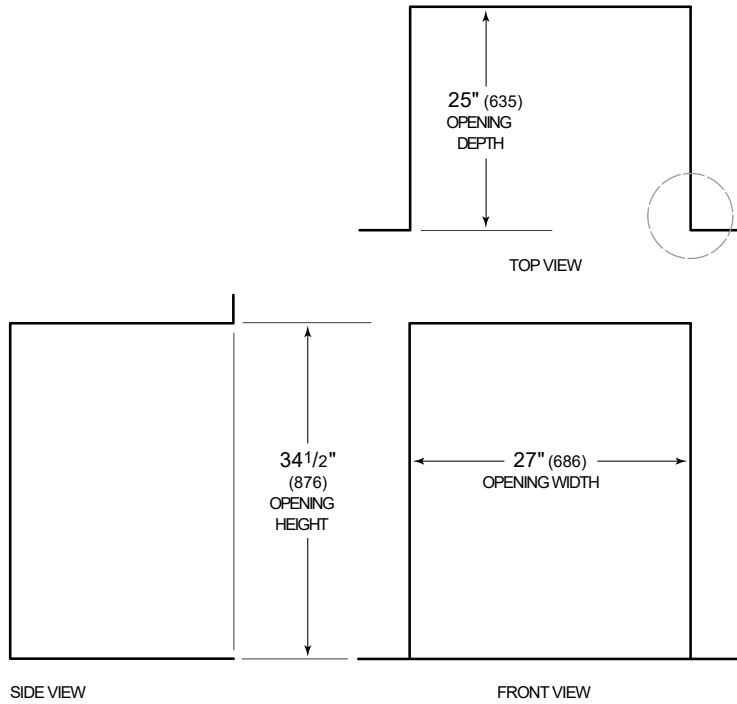


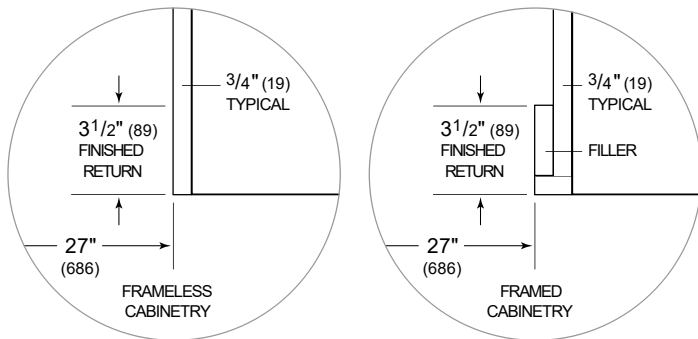
# Dimensions



# Standard Installation



NOTE: 3 1/2" (89) finished returns will be visible and should be finished to match cabinetry

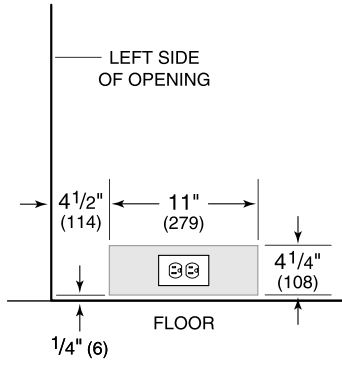


# Electrical Requirements

## Electrical Requirements

- Electrical Supply 115 VAC, 60 Hz
- Electrical Service 15 amp dedicated circuit

Electrical Location Illustration



## Interior View

