

PLAN VIEW  
3/8 in = 1 ft

\*ALL DIMENSIONS TO BE FIELD VERIFIED\*

CLIENT: MARKS RESIDENCE

ROOM: KITCHEN

HEARTH HOMES INTERIORS  
5736 THORNWOOD DR.  
GOLETA, CA 93117  
P: (805) 679-5636  
W: hearthhomesinteriors.com

DRAWINGS PROVIDED BY:



DATE:

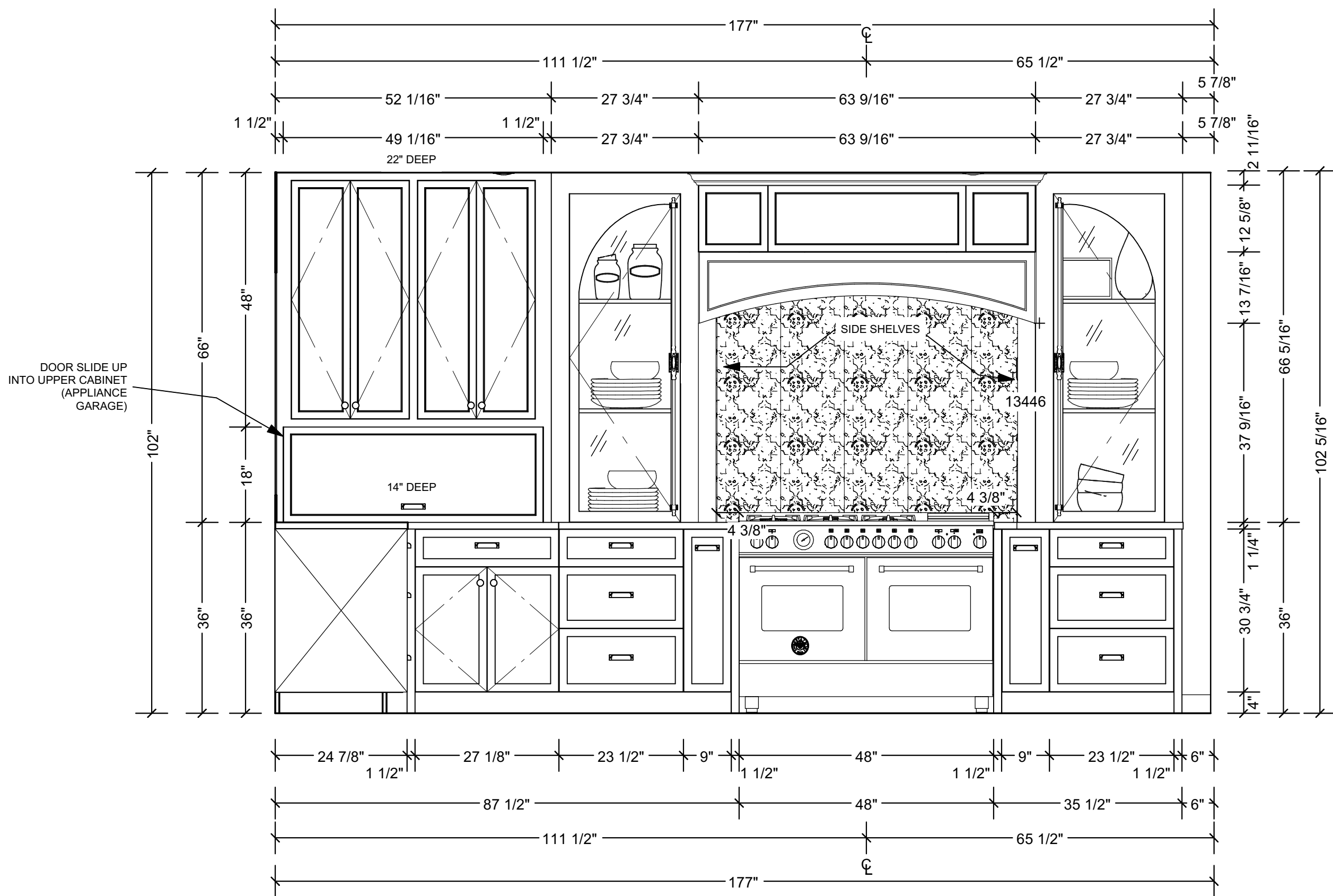
JAN 2024

SCALE:

ON PLAN

SHEET:

A1



Elevation 1  
5/8 in = 1 ft

\*ALL DIMENSIONS TO BE FIELD VERIFIED\*

CLIENT: MARKS RESIDENCE

ROOM: KITCHEN

Hearth Homes Interiors  
 5736 THORNWOOD DR.  
 GOLETA, CA 93117  
 P: (805) 679-5636  
 W: hearthhomesinteriors.com

DRAWINGS PROVIDED BY:  
 HEARTH HOMES

DATE:

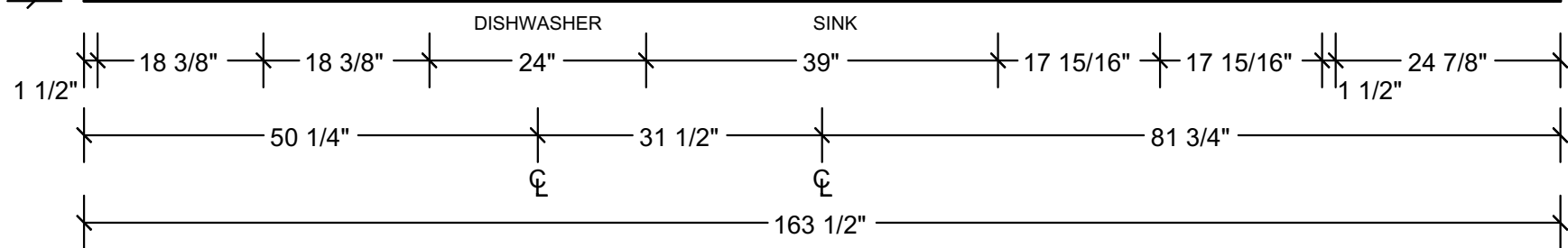
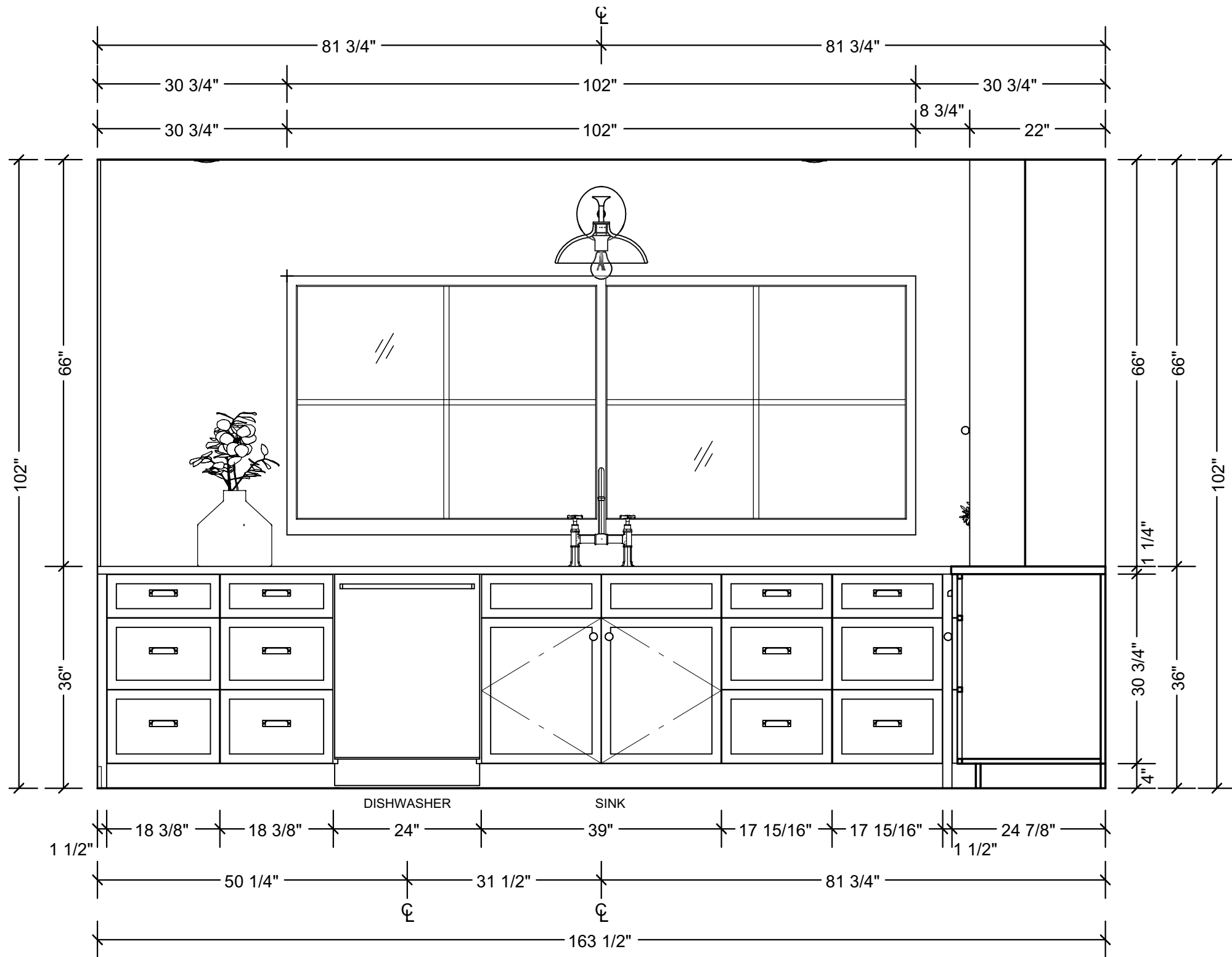
JAN 2024

SCALE:

ON PLAN

SHEET:

A2



Elevation 2  
5/8 in = 1 ft

\*ALL DIMENSIONS TO BE FIELD VERIFIED\*

CLIENT: MARKS RESIDENCE

ROOM: KITCHEN

Drawings Provided by: **Hearth Homes Interiors**  
5736 THORNWOOD DR.  
GOLETA, CA 93117  
HEARTH HOMES  
P: (805) 679-5636  
W: hearthhomesinteriors.com

DATE:

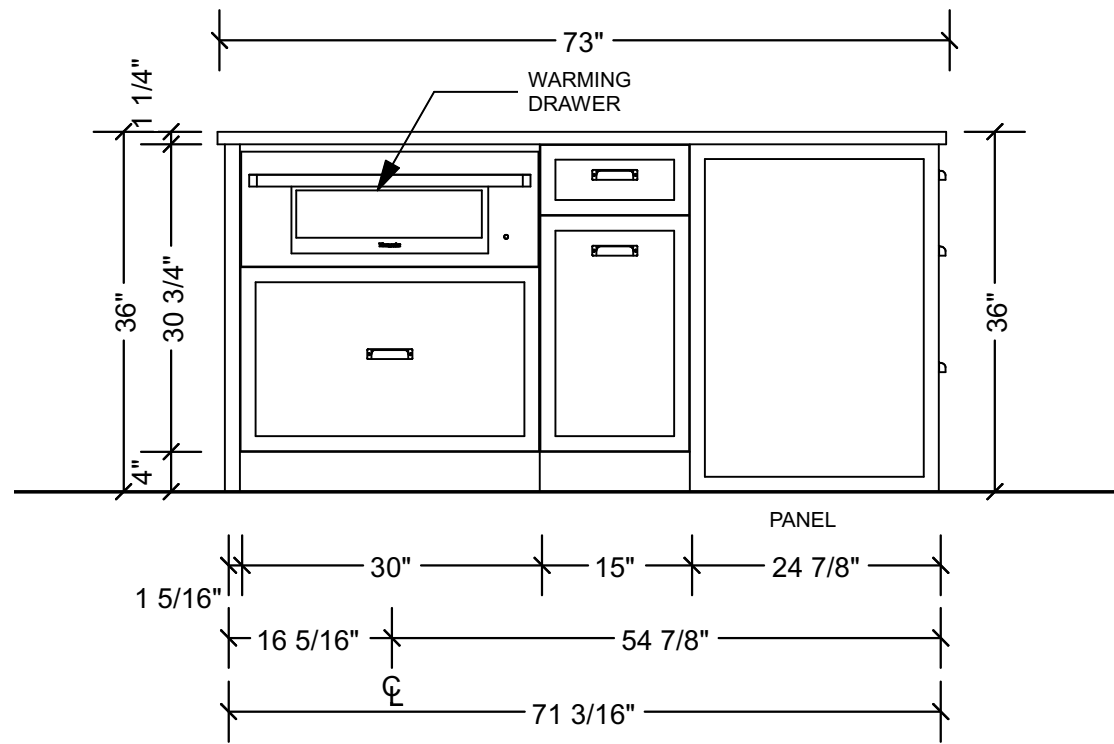
JAN 2024

SCALE:

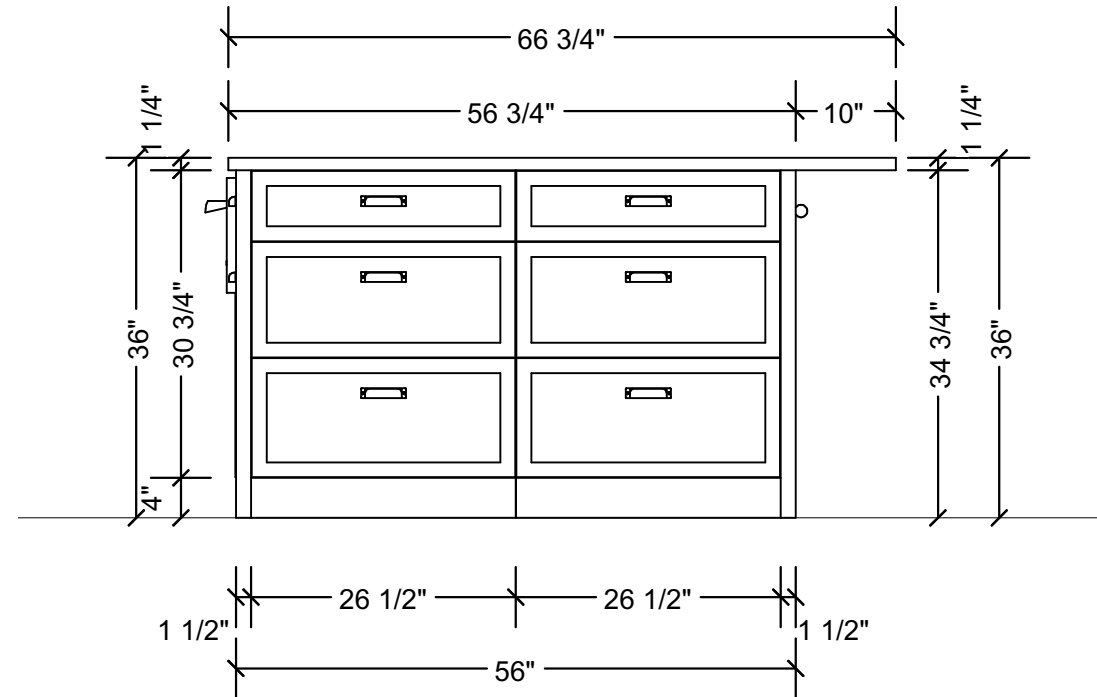
ON PLAN

SHEET:

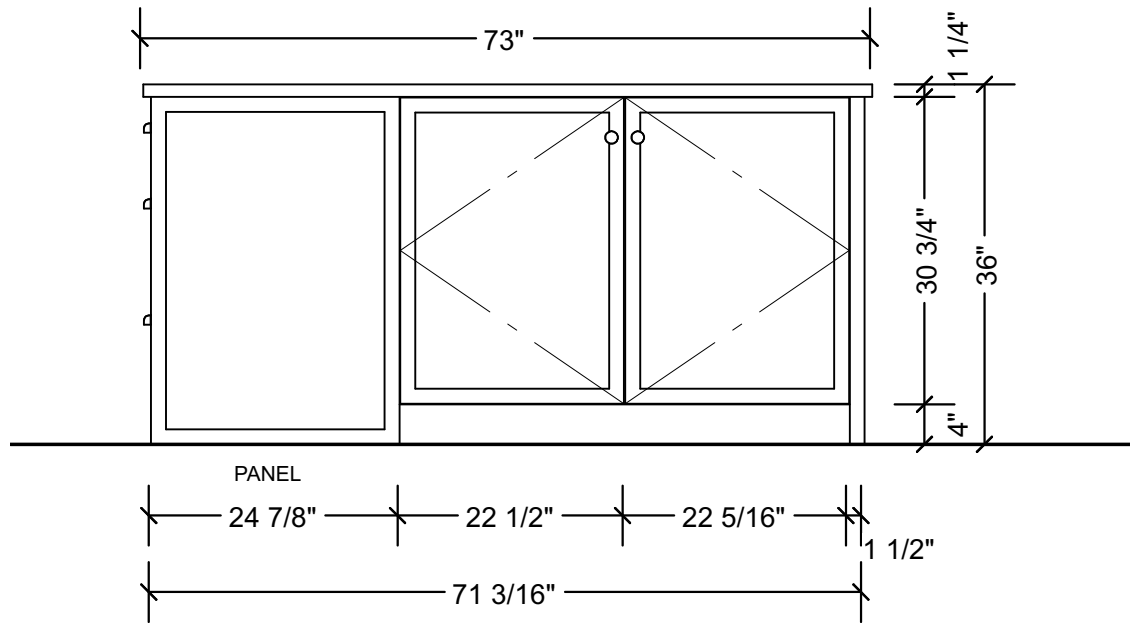
A3



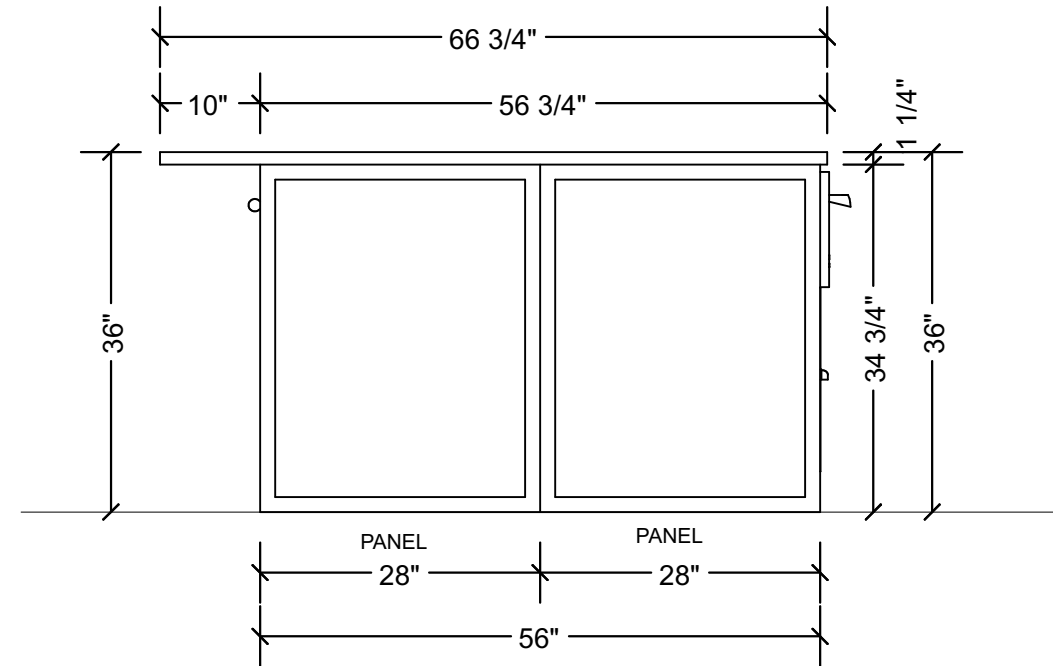
Elevation 3  
5/8 in = 1 ft



Elevation 4  
5/8 in = 1 ft



Elevation 5  
5/8 in = 1 ft



Elevation 6  
5/8 in = 1 ft

\*ALL DIMENSIONS TO BE FIELD VERIFIED\*

CLIENT: MARKS RESIDENCE

ROOM: KITCHEN

Drawings provided by: **Hearth Homes Interiors**  
 5736 THORNWOOD DR.  
 GOLETA, CA 93117  
 P: (805) 679-5636  
 W: hearthhomesinteriors.com

DATE:

JAN 2024

SCALE:

ON PLAN

SHEET:

A4



1.Kitchen window

\*ALL DIMENSIONS TO BE FIELD VERIFIED\*

CLIENT: MARKS RESIDENCE

ROOM: KITCHEN

Drawings Provided By: **Hearth Homes Interiors**  
5736 THORNWOOD DR.  
GOLETA, CA 93117  
P: (805) 679-5636  
W: hearthhomesinteriors.com

DATE: JAN 2024  
SCALE: ON PLAN  
SHEET: **A5**





2.Range wall

\*ALL DIMENSIONS TO BE FIELD VERIFIED\*

DRAWINGS  
PROVIDED BY:

Hearth Homes Interiors

5736 THORNWOOD DR.  
GOLETA, CA 93117

P: (805) 679-5636  
W: hearthhomesinteriors.com



DATE:

JAN 2024

SCALE:

ON PLAN

SHEET:

A6

ROOM:

KITCHEN

CLIENT:

MARKS RESIDENCE



2b. Appliance Garage Open

\*ALL DIMENSIONS TO BE FIELD VERIFIED\*

DRAWINGS  
PROVIDED BY:

Hearth Homes Interiors

5736 THORNWOOD DR.  
GOLETA, CA 93117

P: (805) 679-5836  
W: hearthhomesinteriors.com

HEARTH  
HOMES



DATE:

JAN 2024

SCALE:

ON PLAN

SHEET:

A7

ROOM:

KITCHEN

CLIENT:

MARKS RESIDENCE





3.Sink wall closeup

\*ALL DIMENSIONS TO BE FIELD VERIFIED\*

DRAWINGS  
PROVIDED BY:

Hearth Homes Interiors

5736 THORNWOOD DR.  
GOLETA, CA 93117

P: (805) 679-5836  
W: hearthhomesinteriors.com



DATE:

JAN 2024

SCALE:

ON PLAN

SHEET:

A8

ROOM:

KITCHEN

CLIENT:

MARKS RESIDENCE





4.Kitchen perspective

\*ALL DIMENSIONS TO BE FIELD VERIFIED\*

CLIENT: MARKS RESIDENCE

ROOM: KITCHEN

Drawings Provided By: **Hearth Homes Interiors**  
5736 THORNWOOD DR.  
GOLETA, CA 93117  
P: (805) 679-5636  
W: hearthhomesinteriors.com

DATE:

JAN 2024

SCALE:

ON PLAN

SHEET:

A9



5.Wide angle

\*ALL DIMENSIONS TO BE FIELD VERIFIED\*

CLIENT: MARKS RESIDENCE

ROOM: KITCHEN

Drawings Provided By: **Hearth Homes Interiors**  
5736 THORNWOOD DR.  
GOLETA, CA 93117  
P: (805) 679-5636  
W: hearthhomesinteriors.com

DATE:

JAN 2024

SCALE:

ON PLAN

SHEET:

**A10**





Kitchen island warming drawer



Kitchen island side

CLIENT: MARKS RESIDENCE

ROOM: KITCHEN

Drawings Provided by: **Hearth Homes Interiors**  
 5736 THORNWOOD DR.  
 GOLETA, CA 93117  
 P: (805) 679-5636  
 W: hearthhomesinteriors.com



DATE:

JAN 2024

SCALE:

ON PLAN

SHEET:

**A11**

\*ALL DIMENSIONS TO BE FIELD VERIFIED\*